

AUTOFLAME[®]

COMBUSTION MANAGEMENT SYSTEMS

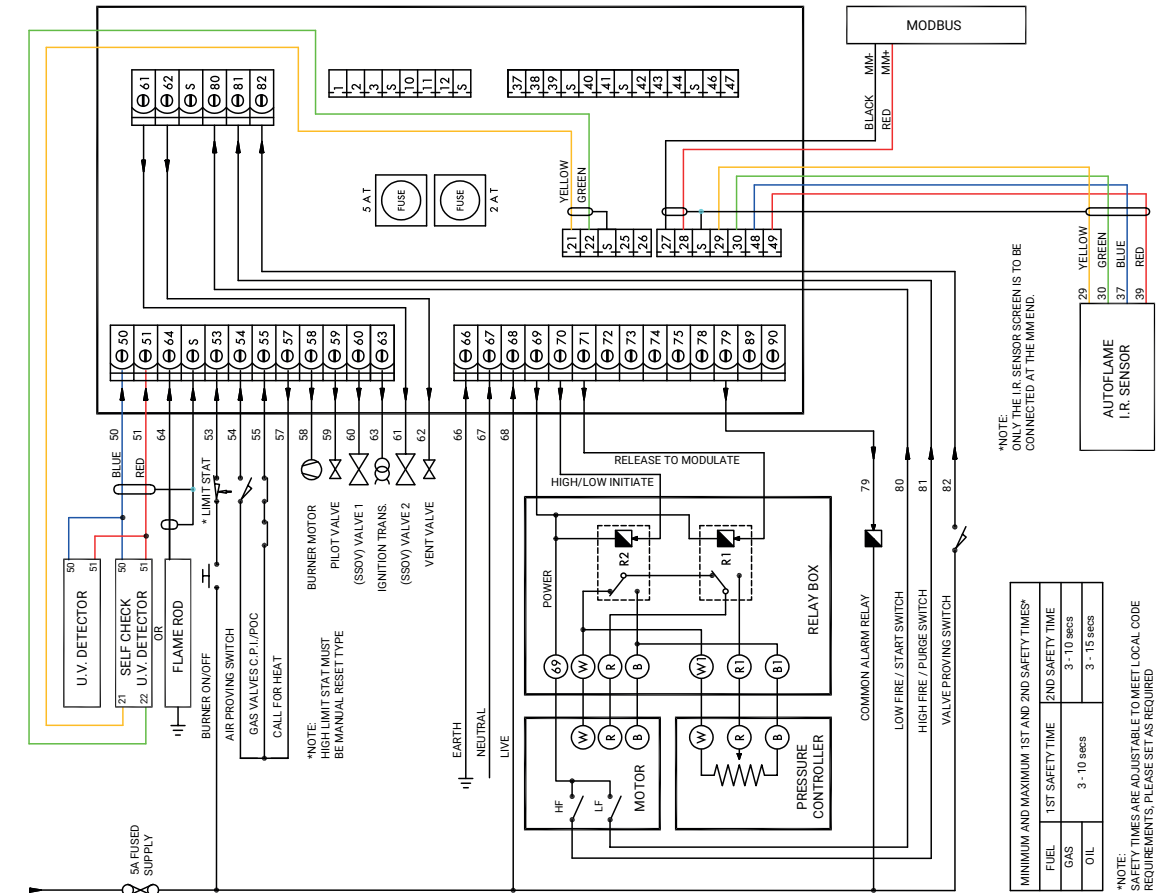


Mini Mk8 Flame Safeguard

The Mini Mk8 Autoflame Flame Safeguard has been designed to be an easy replacement for a standard Flame Safeguard. As is the industry standard, the device will monitor the flame and control your burner outputs, pre-purge, light off, and release to modulate commands. In addition, you get a reliable, modern design and a customizable interface, along with a wealth of extra safety features.

- **Industry-wide compatibility:** The included relay module ensures compatibility with all boilers, burners, and control brands in the market.
- **Easy setup:** Simply interface it with your existing mod motor and thermostat controller.
- **Stock available:** Reduce downtime and get it delivered the next day from Autoflame USA in Kansas.
- **Customizable touchscreen:** The 7" touch screen includes a graphical representation of live and historic data, on-screen numerical keypad enabling multi-level password protection, and multi-language support.
- **Fully certified:** The Autoflame Flame Safeguard is fully certified, UL listed, and FM approved.
- **Export and view system reports:** The system includes a date & time-stamped fault history, system log, and a system fault output. All reports are downloadable through an Autoflame IR Lead.
- **Immediate failure reporting aids quick repairs:** Equipped with Direct Modbus and on-board diagnostics.
- **Safety options:** The system has adjustable safety times, Run Schedule timeclock, Gas Valve Proving System (VPS) and UV, IR, or Flame Rod flame supervision.

TO ACCESS THE FULL TECHNICAL MANUAL, SIMPLY SCAN THE QR CODE ON THE BACK.



AUTOFLAME®

COMBUSTION MANAGEMENT SYSTEMS

UPGRADE YOUR SYSTEM AT THE CLICK OF A BUTTON

You have the option to upgrade the Flame Safeguard into a full fuel-air ratio controller to increase savings and available features with a simple software unlock.



Scan the QR code for a video and detailed technical information.

TALK TO US TODAY

Tom Garrett - Technical Account Manager North America

E: tgarrett@autoflame.com

Guillermo Ceba - Technical Account Manager Latin America

E: gceba@autoflame.com

Zekeng Liang - Sales Engineer China

E: ZLiang@autoflame.com

Nadeem Iqbal - Business Development Director RoW

E: niqbal@autoflame.com

Mary Obah - Multilingual Executive Account Manager

E: mobah@autoflame.com

FOLLOW US



www.autoflame.com